



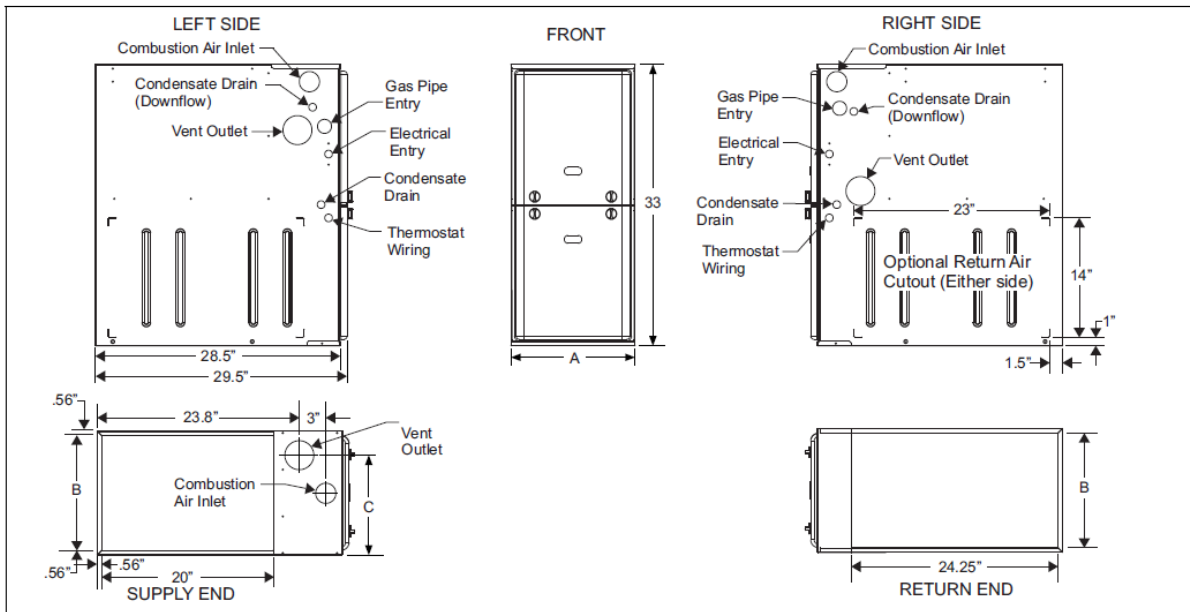
CLIMATECARE

Single Stage Furnaces

TG9S Features:

- **95.5% AFUE efficiency on every model size to save energy**
- **Energy Star Rated**
- **Compact Multi-Position (With Minimal Conversion Requirements) 33" Height design to fit all applications (Upflow/Horizontal Right/Horizontal Left/ Downflow)**
- **Blower off delay to increase Air Conditioning Efficiency**
- **PSC Four-Speed Direct Drive Motor with Large, Quiet Blower**
- **Fully-Supported, Slide-Out Blower Assembly for Easy Service Access**
- **Hi-tech Tubular Steel Primary Heat Exchanger**
- **High Grade Stainless Steel Secondary Heat Exchanger**
- **¼ turn knobs for easy access to internal components**
- **Computerized Control Board with High-Level Self-Diagnostic and Fault Codes for easy servicing**
- **Folded and Flattened Metal Edges for added safety**
- **Fully-Gasketed, Independent Access Doors With View Ports for quiet operation**
- **Blower door safety switch for added safety**
- **Plastic knock out covers to seal knock out holes.**
- **Patent-Pending "See Through" Condensate Management System Eliminates the Need for External Condensate Traps and provides easy visibility of unit operation.**
- **All Models Propane Convertible**
- **Single or Dual Pipe Venting approved to fit all applications**
- **Lifetime Heat Exchanger Warranty**
- **Standard 5 year parts warranty, but if registered online within 90 days of purchase upgrades to 10 year total parts warranty.**





Cabinet & Duct Dimensions

Models	Nominal CFM (m ³ /min)	Cabinet Size	Cabinet Dimensions (Inches)			Approximate Operating Weights
			A	B	C	Lbs
TG9S040A08MP11	800	A	14 1/2	13 3/8	11 3/4	113
TG9S060A10MP11	1000	A	14 1/2	13 3/8	11 3/4	118
TG9S060B12MP11	1200	B	17 1/2	16 3/8	13 1/4	122
TG9S080B12MP11	1200	B	17 1/2	16 3/8	14 3/4	126
TG9S080C16MP11	1600	C	21	19 7/8	16 1/2	136
TG9S080C22MP11	2200	C	21	19 7/8	16 1/2	139
TG9S100C16MP11	1600	C	21	19 7/8	18 1/4	142
TG9S100C20MP11	2000	C	21	19 7/8	18 1/4	145
TG9S120D16MP11	1600	D	24 1/2	23 3/8	21 3/4	153
TG9S120D20MP11	2000	D	24 1/2	23 3/8	21 3/4	156
TG9S130D20MP11	2000	D	24 1/2	23 3/8	No Hole	160

Ratings & Physical / Electrical Data

Models	Input	Output	AFUE %	Air Temp. Rise	Max. Outlet Air Temp	Blower		Blower Size	Max Over-Current Protect	Total Unit Amps	Min. wire Size (awg) @ 75 ft one way
	MBH	MBH		°F	°F	HP	Amps				
TG9S040A08MP11	40	38	95.5	30-60	160	1/3	4.8	11x8	15	8.0	14
TG9S060A10MP11	60	57	95.5	30-60	160	1/2	7.1	11x8	15	10.0	14
TG9S060B12MP11	60	57	95.5	30-60	160	1/2	7.1	11x8	15	10.0	14
TG9S080B12MP11	80	76	95.5	35-65	165	1/2	7.1	11x8	15	10.0	14
TG9S080C16MP11	80	76	95.5	35-65	165	3/4	8.8	11x10	15	11.5	14
TG9S080C22MP11	80	76	95.5	35-65	165	1	14.5	11x11	20	17.0	12
TG9S100C16MP11	100	95	95.5	35-65	165	3/4	8.8	11x10	15	11.5	14
TG9S100C20MP11	100	95	95.5	35-65	165	1	14.5	11x11	20	17.0	12
TG9S120D16MP11	120	114	95.5	40-70	170	3/4	8.8	11x10	15	11.5	14
TG9S120D20MP11	120	114	95.5	35-65	165	1	14.5	11x11	20	17.0	12
TG9S130D20MP11	130	123.5	95.5	45-75	175	1	14.5	11x11	20	17.0	12

Annual Fuel Utilization Efficiency (AFUE) numbers are determined in accordance with DOE Test procedures.
 Wire size and over current protection must comply with the National Electrical Code (NFPA-70-latest edition) and all local codes.
 The furnace shall be installed so that the electrical components are protected from water.