



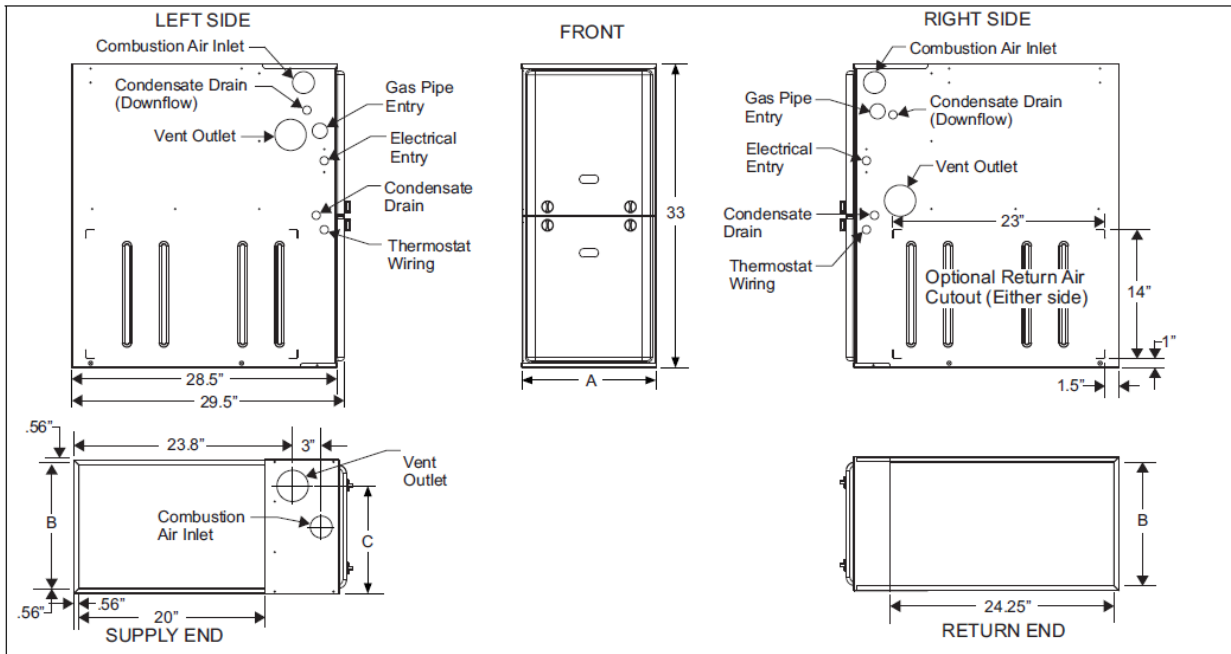
CLIMATECARE

Deluxe Two Stage Variable Speed Furnaces

TM9V Features:

- **96.0% AFUE efficiency on every model size to save energy**
- **Premium ECM High Efficiency DC motor reduces electrical costs, significantly increases Air Conditioner Efficiencies and varies air handling performance for quieter operation.**
- **Two Stage heating operation includes two stage gas valve, two stage inducer motor operation and variable speed ECM blower operation**
- **Adjustable delay allows 2 stage operation with the use of a simple single stage thermostat for applications where additional thermostat wiring is not possible.**
- **Compact Multi-Position (With Minimal Conversion Requirements) 33" Height design to fit all applications (Upflow/Horizontal Right/Horizontal Left/Downflow)**
- **Fully-Supported, Slide-Out Blower Assembly for Easy Service Access**
- **Hi-tech Tubular Steel Primary Heat Exchanger**
- **High Grade Stainless Steel Secondary Heat Exchanger**
- **¼ turn knobs for easy access to internal components**
- **Computerized Control Board with High-Level Self-Diagnostic and Fault Codes for easy servicing**
- **Folded and Flattened Metal Edges for added safety**
- **Fully-Gasketed, Independent Access Doors With View Ports for quiet operation**
- **Blower door safety switch for added safety**
- **Plastic knock out covers to seal unsightly knock out holes.**
- **Insulated blower compartment for improved acoustical performance**
- **Patent-Pending "See Through" Condensate Management System Eliminates the Need for External Condensate Traps and provides easy visibility of unit operation.**
- **All Models Propane Convertible**
- **Single or Dual Pipe Venting approved to fit all applications**
- **Lifetime Heat Exchanger Warranty**
- **Standard 5 year parts warranty, but if registered online within 90 days of purchase upgrades to 10 year total parts warranty.**





Cabinet & Duct Dimensions

Model	Nominal CFM (m ³ /min)	Cabinet Size	Cabinet Dimensions (Inches)			Approximate Operating Weights
			A	B	C	Lbs
TM9V060B12MP11	1200	B	17 1/2	16 3/8	13 1/4	122
TM9V080B12MP11	1200	B	17 1/2	16 3/8	13 1/4	126
TM9V080C16MP11	1600	C	21	19 7/8	16 1/2	136
TM9V100C16MP11	1600	C	21	19 7/8	18 1/4	142
TM9V100C20MP11	2000	C	21	19 7/8	18 1/4	145
TM9V120D20MP11	2000	D	24 1/2	23 3/8	21 3/4	156

Ratings & Physical / Electrical Data

Model	Input High/Low	Output High/Low	Total Unit	AFUE	High Fire Air Temp. Rise	Low Fire Air Temp. Rise
	MBH	MBH	Amps	%	°F	°F
TM9V060B12MP11	60/39	58/37	9	96	35 - 65	35 - 65
TM9V080B12MP11	80/52	77/50	9	96	35 - 65	30 - 60
TM9V080C16MP11	80/52	77/50	12	96	35 - 65	35 - 65
TM9V100C16MP11	100/65	96/62	12	96	35 - 65	30 - 65
TM9V100C20MP11	100/65	96/62	14	96	35 - 65	35 - 65
TM9V120D20MP11	120/78	115/75	14	96	35 - 65	35 - 65
Model	Max. Outlet Air Temp.	Blower		Blower Size	Max. Over-current Protect	Min. Wire Size (awg) @ 75 ft. One Way
	°F	HP	Amps	In.		
TM9V060B12MP11	170	1/2	7	11 x 8	15	14
TM9V080B12MP11	175	1/2	7	11 x 8	15	14
TM9V080C16MP11	175	3/4	10.2	11 x 10	15	14
TM9V100C16MP11	175	3/4	10.2	11 x 10	15	14
TM9V100C20MP11	175	1	12.7	11 x 11	20	12
TM9V120D20MP11	170	1	12.7	11 x 11	20	12

Annual Fuel Utilization Efficiency (AFUE) numbers are determined in accordance with DOE Test procedures. Wire size and over current protection must comply with the National Electrical Code (NFPA-70-latest edition) and all local codes. The furnace shall be installed so that the electrical components are protected from water.