



# CLIMATECARE

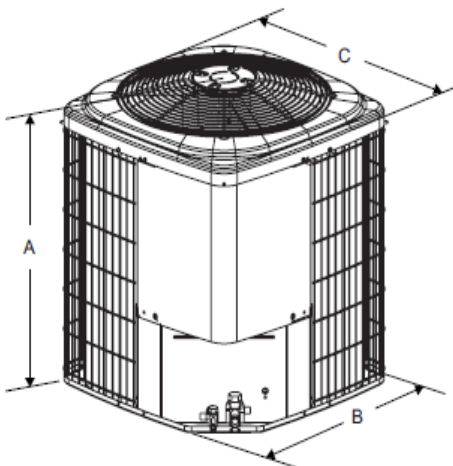
## 13+ SEER Heat Pumps

### THGD Features:

- *Slimmer footprint, fits most landscaping designs*
- *Efficiency ratings of up to 14+ SEER & 8.2 HSPF when matched with Variable Speed Indoor Section*
- *Environmentally friendly R410a Refrigerant*
- *Pre-painted steel cabinet with special primer formulas for better paint to steel bond and ensures less fading when exposed to sunlight*
- *Compressor protected with high pressure relief and temperature sensor for added longevity*
- *High Grade Wire Coil Guard and heavy duty black polymer mesh for extra protection.*
- *Liquid line filter drier removes any contaminants for added Compressor protection*
- *Sound Isolated motor & Rigid Top panel for quieter air flow pattern*
- *Cushioned compressor mounts to dampen vibrations*
- *Quality copper tube/aluminum fin construction for reliability*
- *Standard 5 year parts warranty, but if registered online within 90 days of purchase upgrades to 10 year total parts warranty*



*You can choose a THGD Heat Pump as part of your Hybrid Comfort System that lets you shift from the efficiency of an electric Heat Pump to the added power of a high efficiency gas furnace for the most efficient heating you've ever experienced*



All dimensions are in inches. They are subject to change without notice. Certified dimensions will be provided upon request.

Unit Model	Dimensions (Inches)			Refrigerant Connection Service Valve Size	
	A <sup>1</sup>	B	C	Liquid	Vapor
18	28	34	34	3/8"	3/4"
24	32	34	34		
30	36	34	34		
36	40	34	34		7/8"
42	40	34	34		
48	40	34	34		
60	40	34	34		

1. Including Fan Guard.