



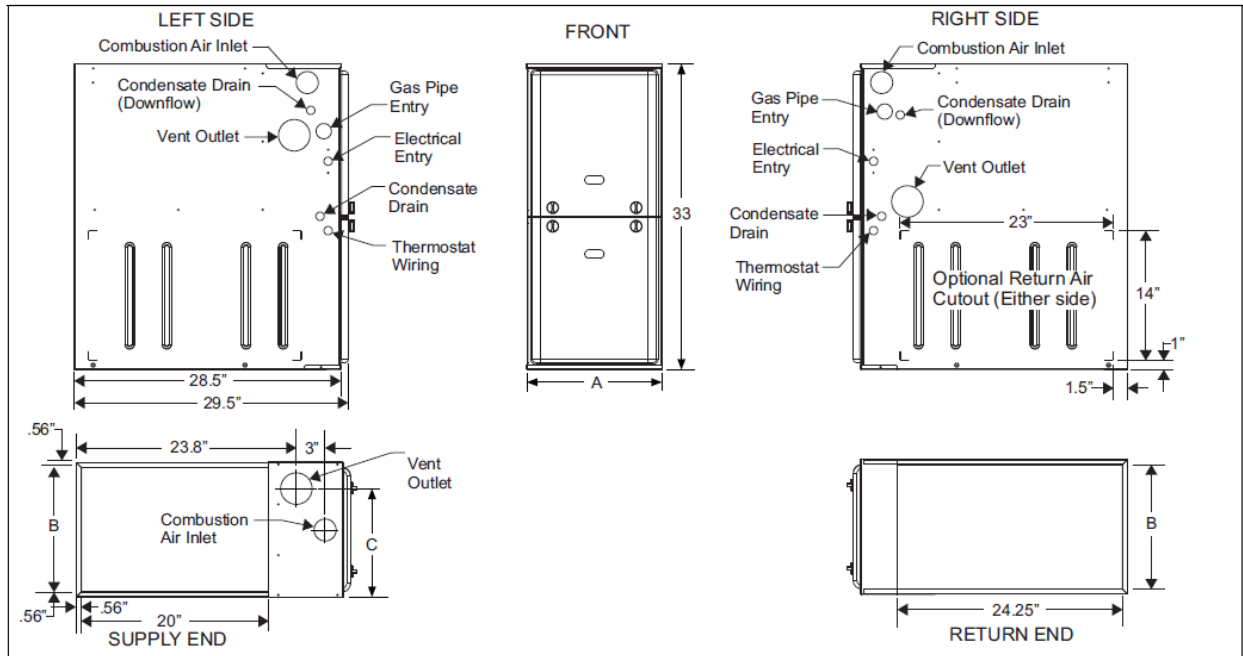
# CLIMATECARE

## Deluxe Single Stage X-13 Furnaces

### TM9X Features:

- **95.5% AFUE efficiency on every model size to save energy**
- **Energy Star Rated**
- **X-13 High Efficiency DC motor reduces electrical costs, significantly increases Air Conditioner Efficiencies and varies air handling performance for quieter operation.**
- **Compact Multi-Position (With Minimal Conversion Requirements) 33" Height design to fit all applications ( Upflow/Horizontal Right/Horizontal Left/ Downflow)**
- **Fully-Supported, Slide-Out Blower Assembly for Easy Service Access**
- **Hi-tech Tubular Steel Primary Heat Exchanger**
- **High Grade Stainless Steel Secondary Heat Exchanger**
- **¼ turn knobs for easy access to internal components**
- **Computerized Control Board with High-Level Self-Diagnostic and Fault Codes for easy servicing**
- **Folded and Flattened Metal Edges for safety**
- **Fully-Gasketed, Independent Access Doors With View Ports for quiet operation**
- **Blower door safety switch for added safety**
- **Plastic knock out covers to seal knock out holes.**
- **Insulated blower compartment for improved acoustical performance**
- **Patent-Pending "See Through" Condensate Management System Eliminates the Need for External Condensate Traps and provides easy visibility of unit operation.**
- **All Models Propane Convertible**
- **Single or Dual Pipe Venting approved to fit all applications**
- **Lifetime Heat Exchanger Warranty**
- **Standard 5 year parts warranty, but if registered online within 90 days of purchase upgrades to 10 year total parts warranty.**





**Cabinet & Duct Dimensions**

BTUH (kW) Input	Nominal CFM (m <sup>3</sup> /min)	Cabinet Size	Cabinet Dimensions (Inches)			Approximate Operating Weights
			A	B	C	Lbs
TM9X060B12MP11	1200	B	17 1/2	16 3/8	13 1/4	122
TM9X080B12MP11	1200	B	17 1/2	16 3/8	14 3/4	126
TM9X080C16MP11	1600	C	21	19 7/8	16 1/2	136
TM9X100C16MP11	1600	C	21	19 7/8	18 1/4	142
TM9X100C20MP11	2000	C	21	19 7/8	18 1/4	145
TM9X120D20MP11	2000	D	24 1/2	23 3/8	21 3/4	156

**Ratings & Physical / Electrical Data**

BTUH (kW) Input	Output	Nominal Airflow	AFUE	Air Temp. Rise	Max. Outlet Air Temp	Blower		Blower Size	Max Over-Current Protect	Total Unit Amps	Min. wire Size (awg) @ 75 ft one way
	MBH	CFM	%	°F	°F	HP	Amps				
TM9X060B12MP11	57	1200	95.5	30-60	180	1/2	6.8	11x8	15	9.5	14
TM9X080B12MP11	76	1200	95.5	40-70	170	1/2	6.8	11x8	15	9.5	14
TM9X080C16MP11	76	1600	95.5	35-65	165	1/2	6.8	11x10	15	9.5	14
TM9X100C16MP11	95	1600	95.5	40-70	170	1/2	6.8	11x10	15	9.5	14
TM9X100C20MP11	95	2000	95.5	35-65	165	3/4	8.4	11x11	15	10.9	14
TM9X120D20MP11	114	2000	95.5	45-75	175	3/4	8.4	11x11	15	10.9	14

Annual Fuel Utilization Efficiency (AFUE) numbers are determined in accordance with DOE Test procedures.  
 Wire size and over current protection must comply with the National Electrical Code (NFPA-70-latest edition) and all local codes.  
 The furnace shall be installed so that the electrical components are protected from water.